



# GREASE GUNS | ONE HAND GREASE GUNS 2014.1



## Single hand operation

- The construction allows a single hand operated lubrication for an easy work in restricted areas



## Calibration volume / pressure

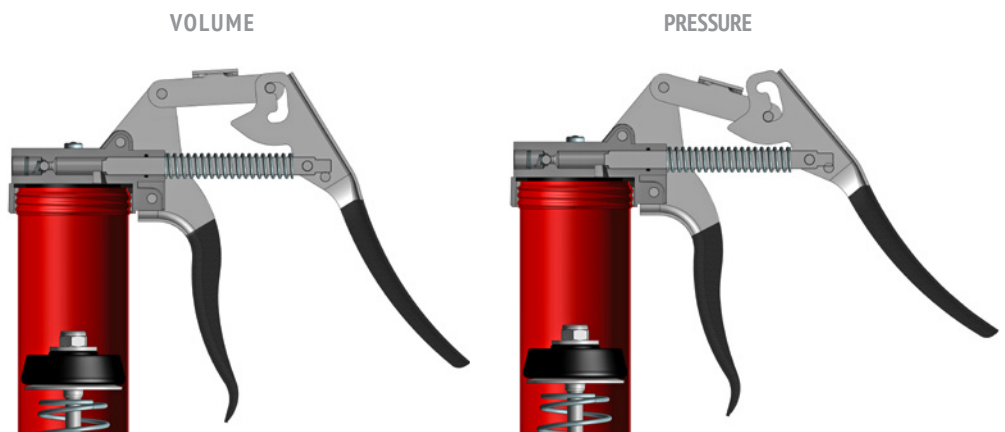
- Can be switched with the hand grip from grease delivery with high volume to high pressure

### Calibration Volume

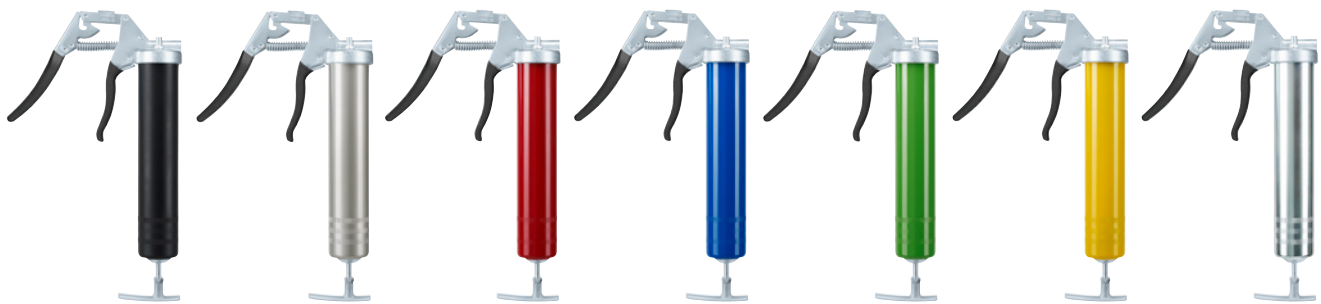
Delivery rate/stroke (cm<sup>3</sup>): 1,1  
Max. delivery pressure (bar): 200

### Calibration Pressure

Delivery rate/stroke (cm<sup>3</sup>): 0,7  
Max. delivery pressure (bar): 300

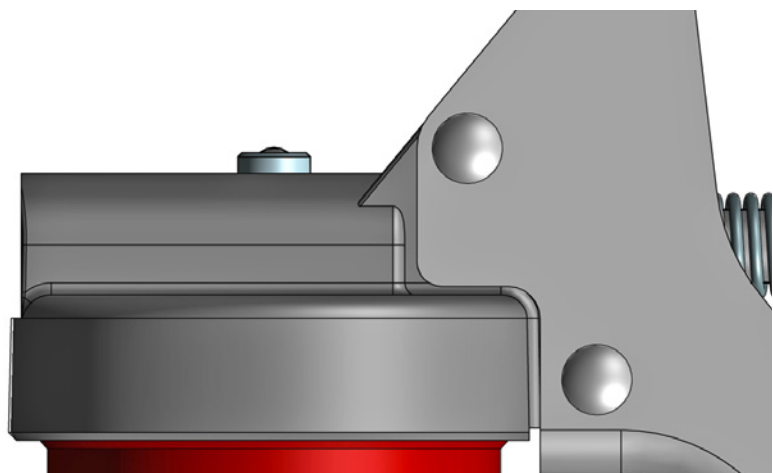


## Different grease gun colors for different grease types



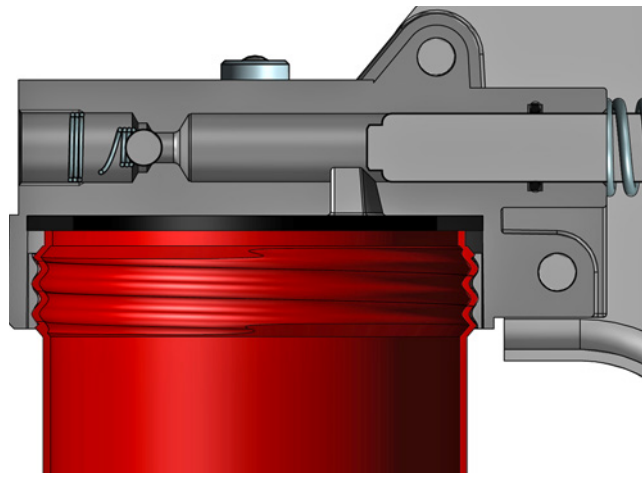
## Grease gun head zinc die casting Z 410

- one-piece - pressure resistant - safe



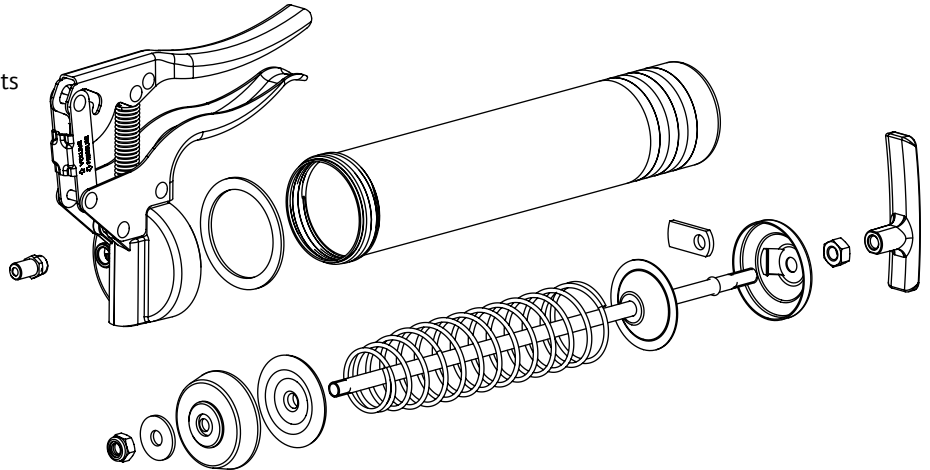
## Rolled thread

- Rolled thread on the grease gun tube resists damage from impact and allows quick and easy screwing-in by 1,5 turns



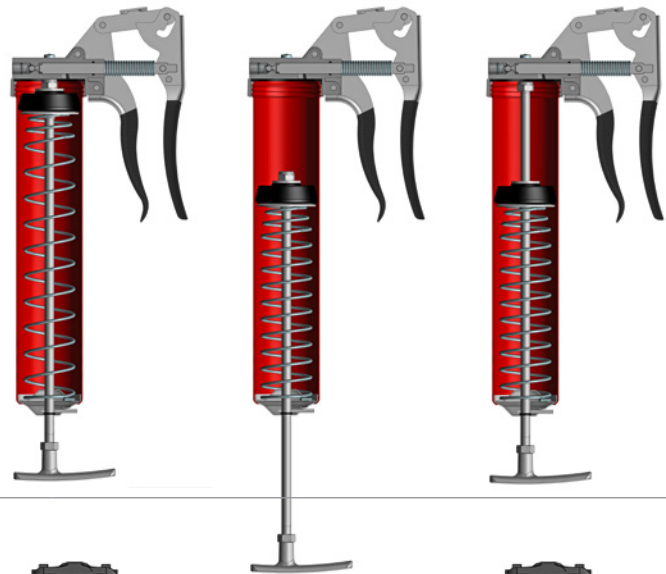
## Cleaning - spare parts

- Easy to clean - Each assembly and parts are available as spare part



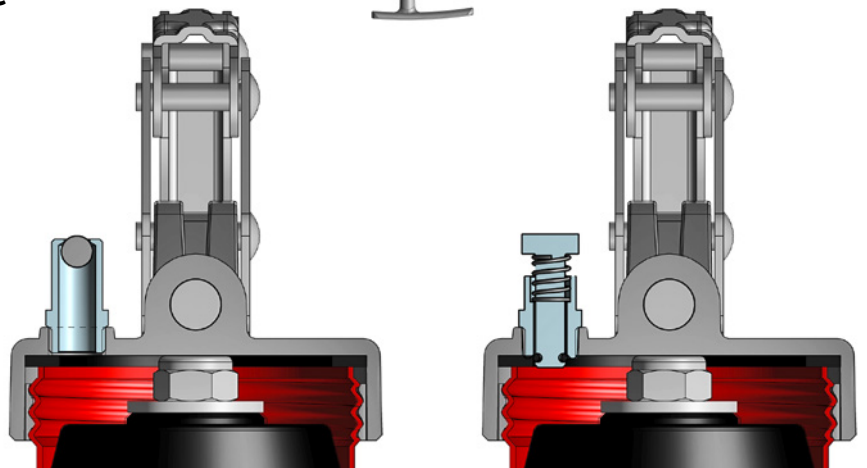
## Grease pressure relief

- Push rod can be locked in any position - push rod does not have to be fully retracted to release the spring pressure on the grease (grease does not saponify)
- Damaged cartridges can easily be removed



## Filling nipple or venting valve

- Filling nipple (FN), M 10 x 1 male (12 670)
- Venting valve (ETV), M 10 x 1 male (85 277)



Grease gun connection, pressure-side:	M 10 x 1, G 1/8"
Filling nipple and venting valve:	M 10 x 1
Capacity (cm <sup>3</sup> ):	500
Refilling options:	400-g-grease cartridge, DIN 1284; grease gun filling system, bulk grease
Grease pump piston actuation:	manual by means of pressure grip
Delivery rate/stroke (cm <sup>3</sup> ):	1,6 at a fat density of 0,92 kg/dm <sup>3</sup> , tested with grease cartridge 400 g (12 511)
<b>Calibration Volume</b>	
Delivery rate/stroke (cm <sup>3</sup> ):	1,1
Max. delivery pressure (bar):	200
<b>Calibration Pressure</b>	
Delivery rate/stroke (cm <sup>3</sup> ):	0,7
Max. delivery pressure (bar):	300
Wall thickness of grease gun tube (mm):	1
Grease gun tube colour:	black/silver/red/blue/green/yellow/galvanized
Dimensions LxWxH (mm):	395 x 140 x 66
Weight (kg):	1,3

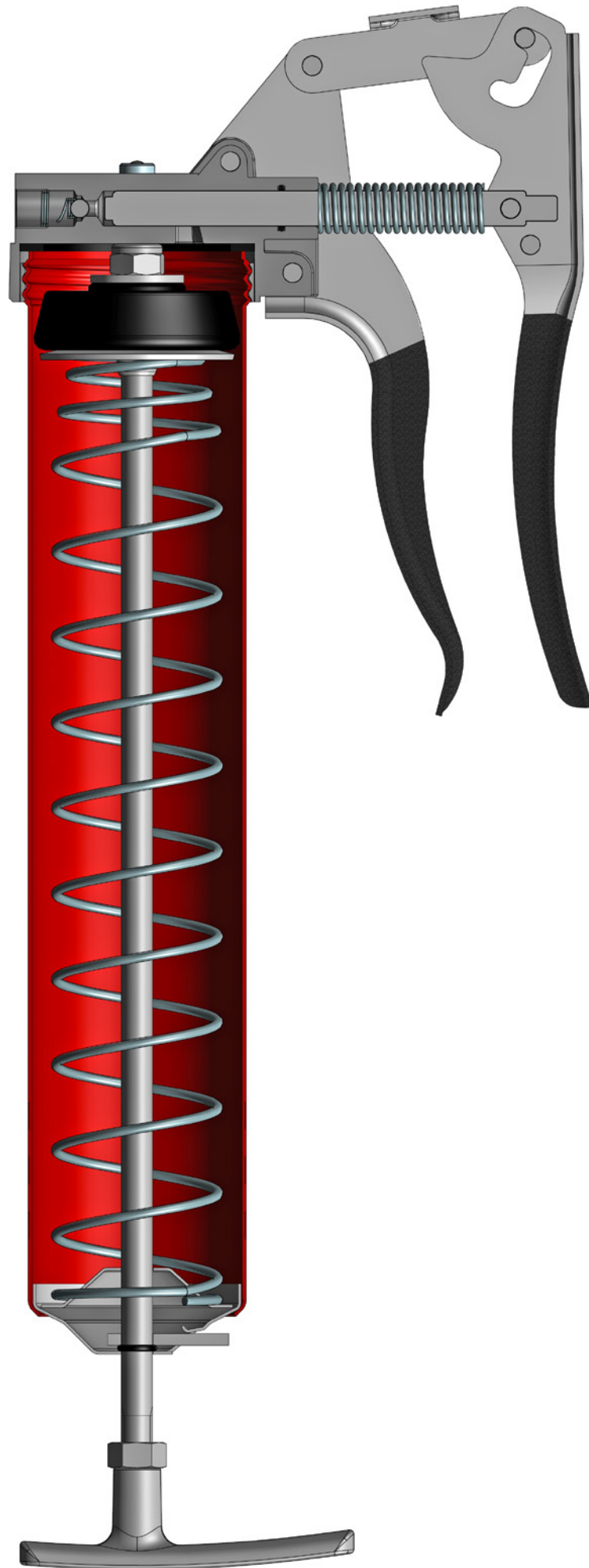
#### SPECIFICATION

- Filling nipple (FN), M 10 x 1 male (12 670) or venting valve (ETV), M 10 x 1 male (85 277)
- Galvanized parts: grip, lever, pulling strap, safety catch, cap, push rod
- Grease gun head, zinc die casting Z 410
- Demountable and movable push rod system
- T-grip, grip and pressure optimized
- Packed in single carton box

#### - Special notes

- The construction allows a single hand operated lubrication for an easy work in restricted areas
- Can be switched with the hand grip from grease delivery with high volume to high pressure
- Due to the flexibility of the push rod, the plunger can be inserted into damaged cartridges or cartridges not exactly matching the standard dimensions
- Push rod can be locked in any position - push rod does not have to be fully retracted to release the spring pressure on the grease (grease does not saponify)
- The ease of dismantling permits simple cleaning
- Rolled thread on the grease gun tube resists damage from impact and allow quick and easy screwing

- High-speed ventilation, by half a rotation of the grease gun tube
- Designed for use in rough conditions
- Similar to DIN 1283



**ONE HAND GREASE GUN 2014.1  
M 10 x 1 - WITH FILLING NIPPLE**



			colour	without accessories	accessories-Set 1 high pressure hose (12 655) coupler (12 631)	accessories-Set 3 spout (12 635) coupler (12 631)
14 400 211	One hand grease gun 2014.1 M 10 x 1	FN-black-without accessories	■	·		
14400 221	One hand grease gun 2014.1 M 10 x 1	FN-silver-without accessories	■	·		
14400 231	One hand grease gun 2014.1 M 10 x 1	FN-red-without accessories	■	·		
14400 241	One hand grease gun 2014.1 M 10 x 1	FN-blue-without accessories	■	·		
14400 251	One hand grease gun 2014.1 M 10 x 1	FN-green-without accessories	■	·		
14400 261	One hand grease gun 2014.1 M 10 x 1	FN-yellow-without accessories	■	·		
14400 271	One hand grease gun 2014.1 M 10 x 1	FN-VZ-without accessories	■	·		
14401 211	One hand grease gun 2014.1 M 10 x 1	FN-black-ZBH-Set 1	■		·	
14401 221	One hand grease gun 2014.1 M 10 x 1	FN-silver-ZBH-Set 1	■		·	
14401 231	One hand grease gun 2014.1 M 10 x 1	FN-red-ZBH-Set 1	■		·	
14401 241	One hand grease gun 2014.1 M 10 x 1	FN-blue-ZBH-Set 1	■		·	
14401 251	One hand grease gun 2014.1 M 10 x 1	FN-green-ZBH-Set 1	■		·	
14401 261	One hand grease gun 2014.1 M 10 x 1	FN-yellow-ZBH-Set 1	■		·	
14401 271	One hand grease gun 2014.1 M 10 x 1	FN-VZ-ZBH-Set 1	■		·	
14411 211	One hand grease gun 2014.1 M 10 x 1	FN-black-ZBH-Set 3	■			·
14411 221	One hand grease gun 2014.1 M 10 x 1	FN-silver-ZBH-Set 3	■			·
14411 231	One hand grease gun 2014.1 M 10 x 1	FN-red-ZBH-Set 3	■			·
14411 241	One hand grease gun 2014.1 M 10 x 1	FN-blue-ZBH-Set 3	■			·
14411 251	One hand grease gun 2014.1 M 10 x 1	FN-green-ZBH-Set 3	■			·
14411 261	One hand grease gun 2014.1 M 10 x 1	FN-yellow-ZBH-Set 3	■			·
14411 271	One hand grease gun 2014.1 M 10 x 1	FN-VZ-ZBH-Set 3	■			·

**ONE HAND GREASE GUN 2014.1  
M 10 x 1 - WITH VENTING VALVE**



			colour	without accessories	accessories-Set 1 high pressure hose (12 655) coupler (12 631)	accessories-Set 3 spout (12 635) coupler (12 631)
14400 411	One hand grease gun 2014.1 M 10 x 1	ETV-black-without accessories	■	·		
14400 421	One hand grease gun 2014.1 M 10 x 1	ETV-silver-without accessories	■	·		
14400 431	One hand grease gun 2014.1 M 10 x 1	ETV-red-without accessories	■	·		
14400 441	One hand grease gun 2014.1 M 10 x 1	ETV-blue-without accessories	■	·		
14400 451	One hand grease gun 2014.1 M 10 x 1	ETV-green-without accessories	■	·		
14400 461	One hand grease gun 2014.1 M 10 x 1	ETV-yellow-without accessories	■	·		
14400 471	One hand grease gun 2014.1 M 10 x 1	ETV-VZ-without accessories	■	·		
14401 411	One hand grease gun 2014.1 M 10 x 1	ETV-black-ZBH-Set 1	■		·	
14401 421	One hand grease gun 2014.1 M 10 x 1	ETV-silver-ZBH-Set 1	■		·	
14401 431	One hand grease gun 2014.1 M 10 x 1	ETV-red-ZBH-Set 1	■		·	
14401 441	One hand grease gun 2014.1 M 10 x 1	ETV-blue-ZBH-Set 1	■		·	
14401 451	One hand grease gun 2014.1 M 10 x 1	ETV-green-ZBH-Set 1	■		·	
14401 461	One hand grease gun 2014.1 M 10 x 1	ETV-yellow-ZBH-Set 1	■		·	
14401 471	One hand grease gun 2014.1 M 10 x 1	ETV-VZ-ZBH-Set 1	■		·	
14411 411	One hand grease gun 2014.1 M 10 x 1	ETV-black-ZBH-Set 3	■			·
14411 421	One hand grease gun 2014.1 M 10 x 1	ETV-silver-ZBH-Set 3	■			·
14411 431	One hand grease gun 2014.1 M 10 x 1	ETV-red-ZBH-Set 3	■			·
14411 441	One hand grease gun 2014.1 M 10 x 1	ETV-blue-ZBH-Set 3	■			·
14411 451	One hand grease gun 2014.1 M 10 x 1	ETV-green-ZBH-Set 3	■			·
14411 461	One hand grease gun 2014.1 M 10 x 1	ETV-yellow-ZBH-Set 3	■			·
14411 471	One hand grease gun 2014.1 M 10 x 1	ETV-VZ-ZBH-Set 3	■			·

**ONE HAND GREASE GUN 2014.1  
G 1/8" - WITH FILLING NIPPLE**



			colour	without accessories	accessories-Set 2 high pressure hose (12 755) coupler (12 731)	accessories-Set 4 spout (12 735) coupler (12 731)
14400 212	One hand grease gun 2014.1 G 1/8"	FN-black-without accessories	■	·		
14400 222	One hand grease gun 2014.1 G 1/8"	FN-silver-without accessories	■	·		
14400 232	One hand grease gun 2014.1 G 1/8"	FN-red-without accessories	■	·		
14400 242	One hand grease gun 2014.1 G 1/8"	FN-blue-without accessories	■	·		
14400 252	One hand grease gun 2014.1 G 1/8"	FN-green-without accessories	■	·		
14400 262	One hand grease gun 2014.1 G 1/8"	FN-yellow-without accessories	■	·		
14400 272	One hand grease gun 2014.1 G 1/8"	FN-VZ-without accessories	■	·		
14402 212	One hand grease gun 2014.1 G 1/8"	FN-black-ZBH-Set 2	■		·	
14402 222	One hand grease gun 2014.1 G 1/8"	FN-silver-ZBH-Set 2	■		·	
14402 232	One hand grease gun 2014.1 G 1/8"	FN-red-ZBH-Set 2	■		·	
14402 242	One hand grease gun 2014.1 G 1/8"	FN-blue-ZBH-Set 2	■		·	
14402 252	One hand grease gun 2014.1 G 1/8"	FN-green-ZBH-Set 2	■		·	
14402 262	One hand grease gun 2014.1 G 1/8"	FN-yellow-ZBH-Set 2	■		·	
14402 272	One hand grease gun 2014.1 G 1/8"	FN-VZ-ZBH-Set 2	■		·	
14412 212	One hand grease gun 2014.1 G 1/8"	FN-black-ZBH-Set 4	■			·
14412 222	One hand grease gun 2014.1 G 1/8"	FN-silver-ZBH-Set 4	■			·
14412 232	One hand grease gun 2014.1 G 1/8"	FN-red-ZBH-Set 4	■			·
14412 242	One hand grease gun 2014.1 G 1/8"	FN-blue-ZBH-Set 4	■			·
14412 252	One hand grease gun 2014.1 G 1/8"	FN-green-ZBH-Set 4	■			·
14412 262	One hand grease gun 2014.1 G 1/8"	FN-yellow-ZBH-Set 4	■			·
14412 272	One hand grease gun 2014.1 G 1/8"	FN-VZ-ZBH-Set 4	■			·

**ONE HAND GREASE GUN 2014.1  
G 1/8" - WITH VENTING VALVE**



			colour	without accessories	accessories-Set 2 high pressure hose (12 755) coupler (12 731)	accessories-Set 4 spout (12 735) coupler (12 731)
14400 412	One hand grease gun 2014.1 G 1/8"	ETV-black-without accessories	■	·		
14400 422	One hand grease gun 2014.1 G 1/8"	ETV-silver-without accessories	■	·		
14400 432	One hand grease gun 2014.1 G 1/8"	ETV-red-without accessories	■	·		
14400 442	One hand grease gun 2014.1 G 1/8"	ETV-blue-without accessories	■	·		
14400 452	One hand grease gun 2014.1 G 1/8"	ETV-green-without accessories	■	·		
14400 462	One hand grease gun 2014.1 G 1/8"	ETV-yellow-without accessories	■	·		
14400 472	One hand grease gun 2014.1 G 1/8"	ETV-VZ-without accessories	■	·		
14402 412	One hand grease gun 2014.1 G 1/8"	ETV-black-ZBH-Set 2	■		·	
14402 422	One hand grease gun 2014.1 G 1/8"	ETV-silver-ZBH-Set 2	■		·	
14402 432	One hand grease gun 2014.1 G 1/8"	ETV-red-ZBH-Set 2	■		·	
14402 442	One hand grease gun 2014.1 G 1/8"	ETV-blue-ZBH-Set 2	■		·	
14402 452	One hand grease gun 2014.1 G 1/8"	ETV-green-ZBH-Set 2	■		·	
14402 462	One hand grease gun 2014.1 G 1/8"	ETV-yellow-ZBH-Set 2	■		·	
14402 472	One hand grease gun 2014.1 G 1/8"	ETV-VZ-ZBH-Set 2	■		·	
14412 412	One hand grease gun 2014.1 G 1/8"	ETV-black-ZBH-Set 4	■			·
14412 422	One hand grease gun 2014.1 G 1/8"	ETV-silver-ZBH-Set 4	■			·
14412 432	One hand grease gun 2014.1 G 1/8"	ETV-red-ZBH-Set 4	■			·
14412 442	One hand grease gun 2014.1 G 1/8"	ETV-blue-ZBH-Set 4	■			·
14412 452	One hand grease gun 2014.1 G 1/8"	ETV-green-ZBH-Set 4	■			·
14412 462	One hand grease gun 2014.1 G 1/8"	ETV-yellow-ZBH-Set 4	■			·
14412 472	One hand grease gun 2014.1 G 1/8"	ETV-VZ-ZBH-Set 4	■			·



QUALITY THAT LEADS

**PRESSOL Schmiergeräte GmbH**  
Tiergartenstrasse 5  
79258 Heitersheim | Germany

Tel.: +49 7665 9346-0  
Fax: +49 7665 9346-130 (Inland)  
Fax: +49 7665 9346-120 (Export)

Mail: [info@pressol.com](mailto:info@pressol.com)

[www.pressol.com](http://www.pressol.com)

**Abbreviations**

ETV	Venting valve
FN	Filling nipple
VZ	Galvanized
ZBH	Accessories